

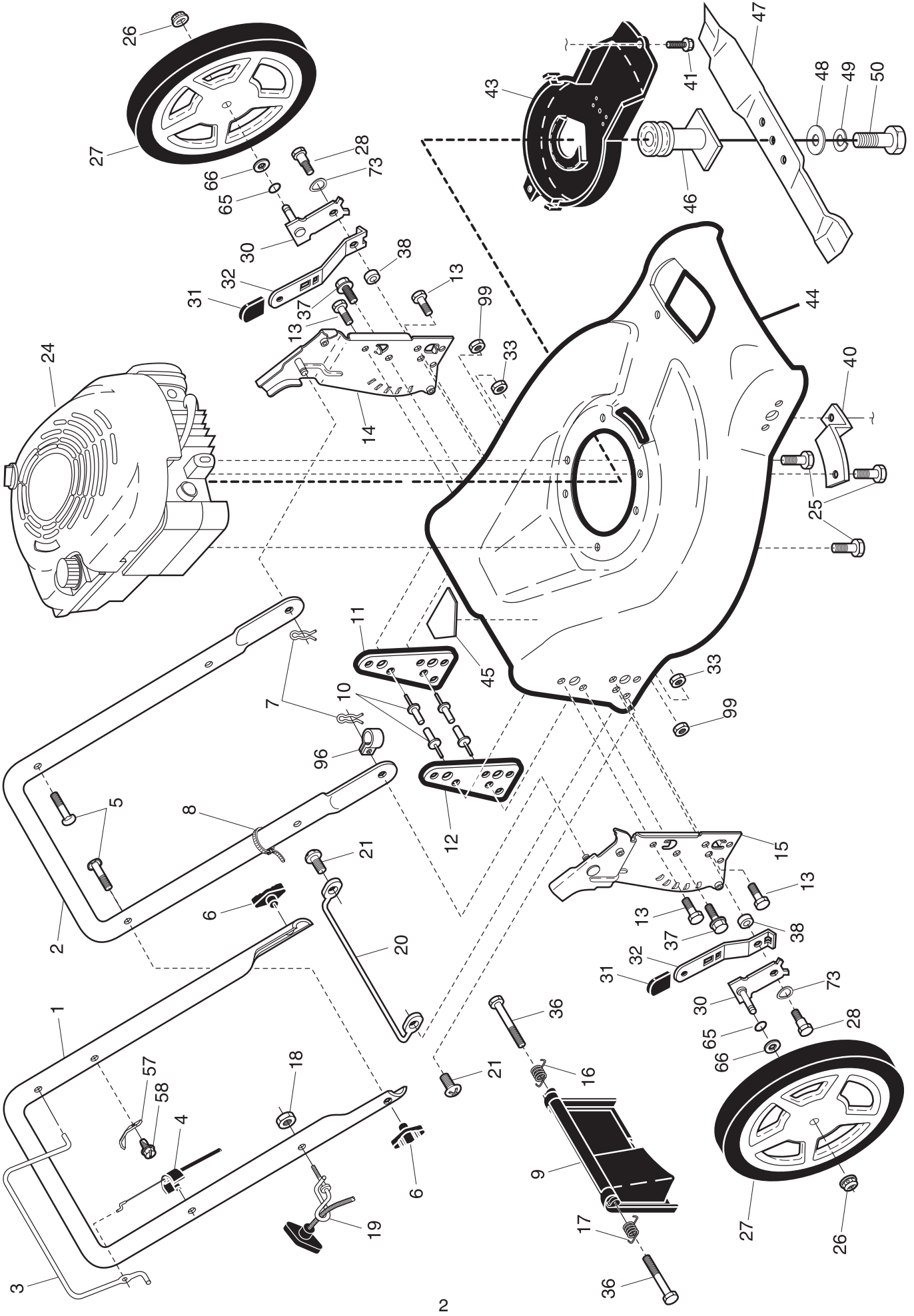
ILLUSTRATED PARTS LIST

MODEL NUMBER PP5051CMD(2)

PRODUCT NUMBER 961 41 01-29

MFG. ID. NUMBER 96141012902

ROTARY LAWN MOWER -- MODEL NUMBER PP5051CMD(2) (96141012902) PRODUCT NO. 961 41 01-29

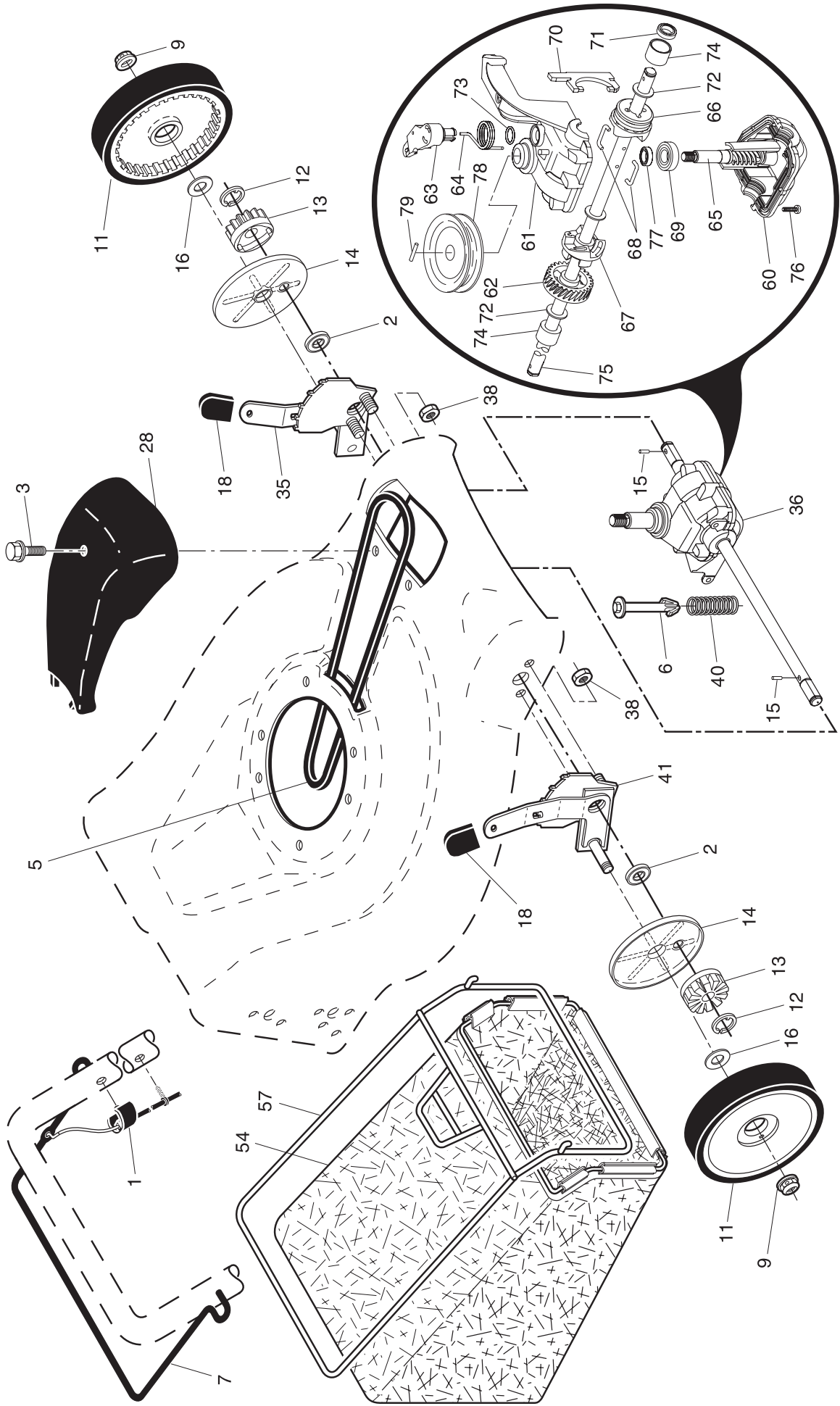


ROTARY LAWN MOWER - - MODEL NUMBER PP5051CMD(2) (96141012902) PRODUCT NO. 961 41 01-29

KEY PART NO.	DESCRIPTION	KEY PART NO.	DESCRIPTION
1	532 19 84-59 Upper Handle	30	532 41 31-41 Axle Arm Assembly, Rear
2	532 15 36-05 Lower Handle	31	532 08 78-77 Selector Knob
3	532 19 84-64 Control Bar	32	532 40 98-89 Selector Spring
4	532 18 35-67 Engine Zone Control Cable	33	873 80 05-00 Nut, Hex, Nylock 5/16-18
5	532 19 15-74 Handle Bolt	36	532 18 41-93 Bolt
6	532 19 19-38 Handle Knob	37	874 78 05-12 Screw, Hex Head 5/16-18 x 3/4
7	532 05 17-93 Hairpin Cotter	38	532 40 16-29 Spacer
8	532 06 64-26 Wire Tie	40	532 19 09-39 Mounting Bracket, Debris Shield
9	532 40 69-85 Rear Door	41	532 19 23-25 Screw
10	532 12 84-15 Pop Rivet	43	532 40 58-45 Debris Shield
11	532 41 05-40 Support Bracket, LH	44	532 40 98-62 Kit, Lawn Mower Housing
12	532 41 05-42 Support Bracket, RH		(Includes Key Numbers 10, 11, 12 and 45)
13	817 06 04-10 Screw 1/4-20 x 5/8	45	532 18 21-66 Danger Decal
14	532 18 25-43 Handle Bracket Assembly, LH	46	532 40 46-33 Blade Adapter
15	532 18 25-45 Handle Bracket Assembly, RH	47	532 19 93-77 Blade 21"
16	532 40 54-17 Spring, Rear Door, LH	48	532 85 10-74 Hardened Washer
17	532 40 54-18 Spring, Rear Door, RH	49	532 85 02-63 Helical Washer 3/8-24 x 1-3/8 Grade 8
18	532 13 20-04 Keps Locknut 1/4-20	50	532 85 10-84 Hex Head Machine Screw 3/8-24 x 1-3/8 Grade 8
19	532 19 47-88 Rope Guide	57	532 12 51-62 Bracket, Upstop
20	532 41 05-36 Foot Guard, C.E.	58	532 75 06-34 Screw
21	532 05 45-83 Screw, Tapping 1/4-20 x 1/2	65	532 19 74-80 O-Ring
24	----- Engine, Briggs & Stratton, Model No. 12F802	66	532 08 83-48 Washer
	(Order parts from engine manufacturer)	73	532 40 16-30 Washer, Curved
25	532 15 04-06 Hex Head Thread Rolling Screw 3/8-16 x 1-1/8	96	532 19 79-91 Clip, Cable
26	532 40 91-49 Hex Flange Nut	99	532 19 85-41 Nut, Hex 5/16-18
27	532 40 31-22 Wheel & Tire Assembly	--	532 41 01-52 Operator's Manual, Scandinavian
28	532 40 16-38 Shoulder Bolt 5/16-18 x .33	--	532 41 01-53 Operator's Manual, Baltic

NOTE: All component dimensions given in U.S. inches. 1 inch = 25.4 mm. **IMPORTANT:** Use only Original Equipment Manufacturer (O.E.M.) replacement parts. Failure to do so could be hazardous, damage your lawn mower and void your warranty.

ROTARY LAWN MOWER -- MODEL NUMBER PP5051CMD(2) (96141012902) PRODUCT NO. 961 41 01-29



ROTARY LAWN MOWER - - MODEL NUMBER PP5051CMD(2) (96141012902) PRODUCT NO. 961 41 01-29

KEY PART NO. NO.	DESCRIPTION	KEY PART NO. NO.	DESCRIPTION
1	532 19 46-53	57	532 40 18-02
2	532 19 10-39	60	532 18 34-97*
3	532 17 52-62	61	532 18 34-98*
5	532 17 54-36	62	532 18 34-99
6	532 15 04-95	63	532 18 35-00
7	532 19 84-53	64	532 18 35-01
9	532 40 91-48	65	532 18 35-02
11	532 19 80-88	66	532 18 35-03
12	812 00 00-58	67	532 18 35-04
13	532 40 38-49	68	532 18 35-05
14	532 18 94-03	69	532 18 35-06
15	532 19 10-17	70	532 18 35-07
16	532 06 77-25	71	532 18 35-08
18	532 08 78-77	72	532 18 35-09
28	532 18 14-68	73	532 18 35-10
35	532 40 88-62	74	532 18 35-11
36	532 19 92-05	75	532 19 66-13
38	873 80 04-00	76	532 18 35-13
40	532 13 70-90	77	532 18 35-14
41	532 40 88-61	78	532 19 98-52
54	532 40 05-59	79	532 19 94-19

* Use Dow Corning #709 to reseal Gear Case Halves.

NOTE: All component dimensions given in U.S. inches. 1 inch = 25.4 mm. **IMPORTANT:** Use only Original Equipment Manufacturer (O.E.M.) replacement parts. Failure to do so could be hazardous, damage your lawn mower and void your warranty.